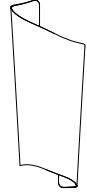




start here



1

1. Find a clear area in which you can work.
2. Unpack Fixture and glass from carton.
3. Carefully Review Instructions Prior to assembly.

2

**** The construction of this fixture will be accomplished by first assembling the main body of the fixture, attaching the mounting strap to the junction box, making all necessary electrical connections, hanging the fixture from the wall.*

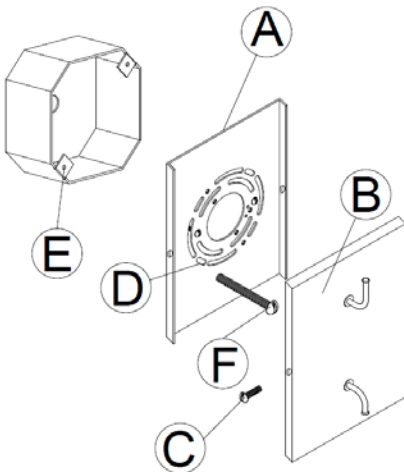
3

1. Remove main mounting plate (A) from fixture back plate (B) by removing the 2 flat head screws (C) - see **Drawing 1**.
2. Slide the wires from the junction box, through the large center hole, making sure curved slots (D) line up with the threaded holes (E) in the junction box.
3. Using two 8-32 screws (F) not provided, attach mounting plate (A) to the junction box, making sure the top of mounting plate (A) is parallel to ceiling.

4

SAFETY WARNING: READ WIRING AND GROUNDING INSTRUCTIONS (I.S. 18) AND ANY ADDITIONAL DIRECTIONS. TURN POWER SUPPLY OFF DURING INSTALLATION. IF NEW WIRING IS REQUIRED, CONSULT A QUALIFIED ELECTRICIAN OR LOCAL AUTHORITIES FOR CODE REQUIREMENTS.

Drawing 1 – Mounting Detail



Drawing 1 - Flush Mount



Drawing 2 - Chain Hung



Drawing 3 - Post-Mount



SAFETY WARNING: READ WIRING AND GROUNDING INSTRUCTIONS (I.S. 18) AND ANY ADDITIONAL DIRECTIONS. TURN POWER SUPPLY OFF DURING INSTALLATION. IF NEW WIRING IS REQUIRED, CONSULT A QUALIFIED ELECTRICIAN OR LOCAL AUTHORITIES FOR CODE REQUIREMENTS.

wiring instructions

Indoor Fixtures

1. Connect positive supply wire **(A)** (typically black or the smooth, unmarked side of the two-conductor cord) to positive fixture lead **(B)** with appropriately sized twist on connector - see **Drawings 1 or 2**.
2. Connect negative supply wire **(C)** (typically white or the ribbed, marked side of the two-conductor cord) to negative fixture lead **(D)**.
3. Please refer to the **grounding instructions** below to complete all electrical connections.

Outdoor Fixtures

1. Connect positive supply wire **(A)** (typically black or the smooth unmarked side of the two-conductor cord) to positive fixture lead **(B)** with appropriately sized twist on connector - see **Drawings 2 or 3**.
2. Connect negative supply wire **(C)** (typically white or the ribbed, marked side of the two-conductor cord) to negative fixture lead **(D)**.
3. Cover open end of connectors with silicone sealant to form a watertight seal.
 - If installing a wall mount fixture, use caulk to seal gaps between the fixture mounting plate (backplate) and the wall. This will help prevent water from entering the outlet box. If the wall surface is lap siding, use caulk and a fixture mounting platform specially.
4. Please refer to the **grounding instructions** below to complete all electrical connections.

grounding instructions

Flush Mount Fixtures

For positive grounding in a 3-wire electrical system, fasten the fixture ground wire **(E)** (typically copper or green plastic coated) to the fixture mounting strap **(1)** with the ground screw **(2)** - see **Drawing 1**.

Note: On straps for screw supported fixtures, first install the two mounting screws in strap. Any remaining tapped hole may be used for the ground screw.

Chain Hung Fixtures

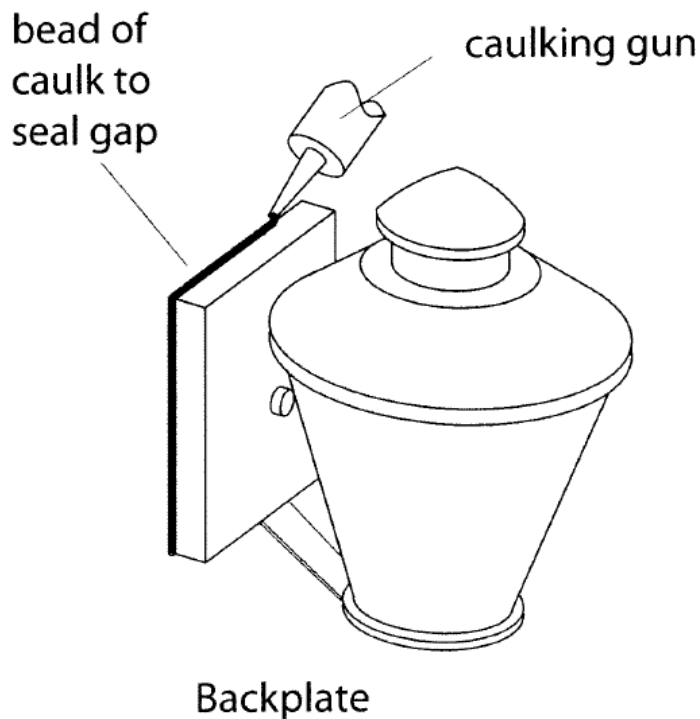
Loop fixture ground wire **(E)** (typically copper or green plastic coated) under the head of the ground screw **(2)** on fixture mounting strap **(1)** and connect to the loose end of the fixture ground wire directly to the ground wire of the building system with appropriately sized twist-on connectors - see **Drawing 2**.

Post-Mount Fixtures

Connect fixture ground wire **(E)** (typically copper or green plastic coated) to power supply ground with appropriately sized twist-on connector inside post. Cover open end of connector with silicone sealant to form a watertight seal - see **Drawing 3**.

▼ start here

1. After securing fixture to the wall it is recommended that the gap between the wall and the fixture backplate be sealed with any good quality waterproof caulk or silicone sealant, on the top and sides leaving the bottom open as a weep hole.
(NOT INCLUDED) see Drawing 1.



Drawing 1

Stainless Steel Care Instructions (English)

Instrucciones de uso de acero inoxidable (Spanish)

Instructions d'entretien en acier inoxydable (French)

Welcome to the Hinkley Lighting family of Stainless Steel fixtures. Please read the information below carefully to ensure the long-lasting beauty of your Hinkley Lighting fixture.

Bienvenido a la familia Hinkley Lighting de acero inoxidable. Lea atentamente la información siguiente para garantizar la belleza duradera de su lámpara Hinkley Lighting.

Bienvenue dans la famille Hinkley Lighting de produits en acier inoxydable. Veuillez lire attentivement les informations ci-dessous afin d'assurer la beauté durable de votre composition d'éclairage Hinkley.

Stainless Steel is a low-carbon steel that contains at least 10 percent chromium. The addition of chromium to the steel gives it unique corrosion-resistant properties. While Stainless Steel is extremely durable and resists corrosion, it does require regular maintenance. Stainless Steel products may develop corrosion due to environmental and installation conditions.

El acero inoxidable es un acero de bajo contenido de carbono que contiene al menos un 10 por ciento de cromo. La adición de cromo al acero le confiere propiedades únicas de resistencia a la corrosión. Mientras que el acero inoxidable es extremadamente resistente y resiste la corrosión, requiere un mantenimiento regular. Los productos de acero inoxidable pueden desarrollar corrosión debido a las condiciones ambientales y de instalación.

L'acier inoxydable est un acier à faible teneur en carbone qui contient au moins 10 pour cent de chrome. L'ajout de chrome à l'acier lui confère des propriétés anti-corrosion exceptionnelles. Bien que l'acier inoxydable soit extrêmement durable et résiste à la corrosion, il nécessite une maintenance régulière. Les produits en acier inoxydable peuvent se développer en raison de conditions environnementales et d'installation.

Following is a list of conditions that can cause corrosion or discoloration to Stainless Steel:

A continuación se muestra una lista de condiciones que pueden causar corrosión o decoloración en acero inoxidable:

Voici une liste des conditions qui peuvent provoquer une corrosion ou une décoloration de l'acier inoxydable:

- Cleaners that contain Chloride – this includes cleaners containing bleach
 - Limpiadores que contienen Cloruro - esto incluye limpiadores que contienen lejía
 - Nettoyants contenant du chlorure - ceci inclut les nettoyants contenant de l'eau de Javel
- Muriatic acid – also known as hydrochloric acid; often used to clean up after concrete or tile installation
 - Ácido muriático - también conocido como ácido clorhídrico; A menudo se utiliza para limpiar después de la instalación de concreto o azulejos
 - L'acide muriatique - également connu sous le nom d'acide chlorhydrique; Souvent utilisé pour le nettoyage après l'installation de béton ou de tuiles
- Soap residue – chemical additives will cause discoloration and some soaps, when dry, will look like rust
 - Residuo de jabón - los aditivos químicos causarán decoloración y algunos jabones, cuando están secos, se verán como herrumbre
 - Résidus de savon - les additifs chimiques provoqueront une décoloration et certains savons, lorsqu'ils sont secs, ressembleront à la rouille
- Water with high iron content can leave a rusty residue
 - El agua con alto contenido de hierro puede dejar residuos oxidados
 - L'eau à haute teneur en fer peut laisser un résidu rouillé
- Moisture trapped between the and another object
 - Humedad atrapada entre el objeto y otro
 - L'humidité est piégée entre l'objet et un autre
- Salts – contain chlorides
 - Sales - contienen cloruros
 - Sels - contiennent des chlorures

The best way to maintain your fixture's finish is to wash the fixture regularly with a mild soap, warm water and a cotton cloth. If discoloration should start to occur, it should be removed as soon as possible.

La mejor manera de mantener el acabado de su fijatura es lavar la fijatura regularmente con un jabón suave, agua tibia y un paño de algodón. Si la decoloración comienza a ocurrir, se debe quitar tan pronto como sea posible.

La meilleure manière de maintenir la finition de votre fièvre est de laver régulièrement le papier avec un savon doux, de l'eau chaude et un chiffon de coton. Si la décoloration devrait commencer, cela devrait être supprimé dès que possible.

Usually the can be restored to its original condition by using a mild cleanser (Ajax, Bon Ami, Zud, etc.), or with the use of a Stainless Steel cleanser (Revere Ware Stainless Steel Cleaner, Goddard's Stainless Steel Cleaner, Noxon "7", etc.) and a Scotchbrite pad. Do not use steel wool. After cleaning, the surface should be thoroughly rinsed with clean water to remove any cleanser residue.

Usualmente se puede restaurar su estado original usando un limpiador suave (Ajax, Bon Ami, Zud, etc.), o con un limpiador de acero inoxidable (Revere Ware Stainless Steel Cleaner, Goddard's Stainless Steel Cleaner, Noxon "7", Etc.) y una almohadilla Scotchbrite. No utilice lana de acero. Después de la limpieza, la superficie debe ser completamente enjuagada con agua limpia para eliminar cualquier resto de limpiador.

Habituellement, il peut être restauré dans son état d'origine en utilisant un nettoyant doux (Ajax, Bon Ami, Zud, etc.), ou à l'aide d'un nettoyant en acier inoxydable (nettoyant en acier inoxydable Revere Ware, nettoyant en acier inoxydable Goddard, Noxon "7", Etc.) et un bloc Scotchbrite. N'utilisez pas de laine d'acier. Après le nettoyage, la surface doit être soigneusement rincée avec de l'eau propre pour éliminer tout résidu nettoyant.

Fixtures should be cleaned on a regular basis. Allowing corrosion to develop over time could cause pitting and permanent damage to the fixture.

Los accesorios deben ser limpiados regularmente. Permitir que la corrosión se desarrolle con el tiempo podría causar picaduras y daños permanentes al aparato.

Les appareils doivent être nettoyés régulièrement. Permettre à la corrosion de se développer au fil du temps pourrait causer des piqûres et des dommages permanents à l'appareil.

PLEASE NOTE: A protective coating is applied to prevent corrosion of the Stainless Steel during shipping and storage. This coating is not a permanent corrosion inhibitor. Regular maintenance is still required in accordance with the instructions listed above.

NOTA: Se aplica un recubrimiento protector para evitar la corrosión del acero inoxidable durante el envío y el almacenamiento. Este revestimiento no es un inhibidor de corrosión permanente. Se requiere un mantenimiento regular de acuerdo con las instrucciones listadas arriba.

VEUILLEZ NOTER: Un revêtement protecteur est appliqué pour éviter la corrosion de l'acier inoxydable pendant l'expédition et le stockage. Ce revêtement n'est pas un inhibiteur de corrosion permanent. Une maintenance régulière est toujours nécessaire conformément aux instructions indiquées ci-dessus.