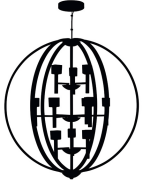


# MONDO

FR49299PCM



Bulbs: 60W G9

Replacement Parts: GLASS: R49292GL BULB SHIELD: R4750BLSH

## ASSEMBLY INSTRUCTIONS

Assembly of this fixture will be accomplished by first assembling the fixture, making all necessary electrical connections and then hanging the fixture.

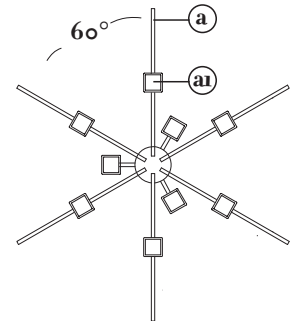
**SAFETY WARNING:** Read wiring and grounding instructions [FRIS 18] and any additional directions. Turn power supply off during installation. If new wiring is required, consult a qualified electrician or local authorities for code requirements.

### STEP 1

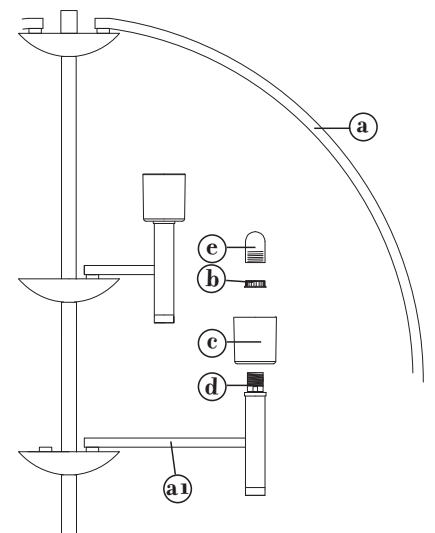
- 1 Rotate arms (a) and arms (a1) until they are equally spaced 60 degrees apart - See Drawing 1.
- 2 To install glass, remove socket ring (b) from socket (d) - See Drawing 2.
- 3 Slip glass (e) over socket (d).
- 4 Thread socket ring (b) onto socket (d) and tighten using socket ring tool provided.
- 5 Fixture can now be lamped accordingly.
- 6 Thread bulb shield (c) onto socket (d).

**STEP 2** Refer to Hanging Instruction Sheet [FRIS19-20] to hang fixture and complete installation.

[DRAWING 1]



[DRAWING 2]



FREDRICK RAMOND

ESTABLISHED 1965

800.421.3517 WWW.FREDRICKRAMOND.COM

2.17.09



## WIRING AND GROUNDING INSTRUCTIONS

**SAFETY WARNING:** Read wiring and grounding instructions [FRIS 18] and any additional directions. Turn power supply off during installation. If new wiring is required, consult a qualified electrician or local authorities for code requirements.

## STEP 1 WIRING INSTRUCTIONS

## Indoor Fixtures

- 1 Connect positive supply wire (a) (typically black or the smooth, unmarked side of the two-conductor cord) to positive fixture lead (b) with appropriately sized twist on connector - See Drawings 1 or 2.
- 2 Connect negative supply wire (c) (typically white or the ribbed, marked side of the two-conductor cord) to negative fixture lead (d).
- 3 Please refer to the grounding instructions below to complete all electrical connections.

## Outdoor Fixtures

- 1 Connect positive supply wire (a) (typically black or the smooth unmarked side of the two-conductor cord) to positive fixture lead (b) with appropriately sized twist on connector - See Drawings 2 or 3.
- 2 Connect negative supply wire (c) (typically white or the ribbed, marked side of the two-conductor cord) to negative fixture lead (d).
- 3 Cover open end of connectors with silicone sealant to form a watertight seal.
  - If installing a wall mount fixture, use caulk to seal gaps between the fixture mounting plate (backplate) and the wall. This will help prevent water from entering the outlet box. If the wall surface is lap siding, use caulk and a fixture mounting platform specially.
- 4 Please refer to the grounding instructions below to complete all electrical connections.

## STEP 2 GROUNDING INSTRUCTIONS

## Flush Mount Fixtures

For positive grounding in a 3-wire electrical system, fasten the fixture ground wire (e) (typically copper or green plastic coated) to the fixture mounting strap (1) with the ground screw (2) - See Drawing 1.

Note: On straps for screw supported fixtures, first install the two mounting screws in strap.

Any remaining tapped hole may be used for the ground screw.

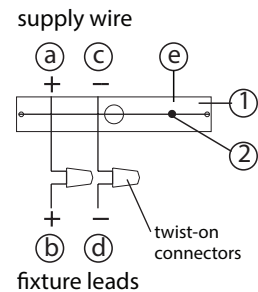
## Chain Hung Fixtures

Loop fixture ground wire (e) (typically copper or green plastic coated) under the head of the ground screw (2) on fixture mounting strap (1) and connect to the loose end of the fixture ground wire directly to the ground wire of the building system with appropriately sized twist-on connectors - See Drawing 2.

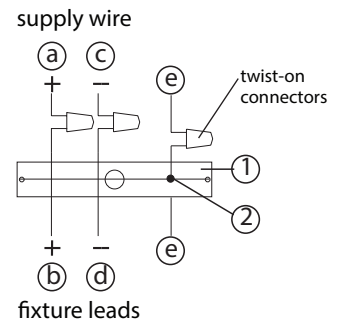
## Post-Mount Fixtures

Connect fixture ground wire (e) (typically copper or green plastic coated) to power supply ground with appropriately sized twist-on connector inside post. Cover open end of connector with silicone sealant to form a watertight seal - See Drawing 3.

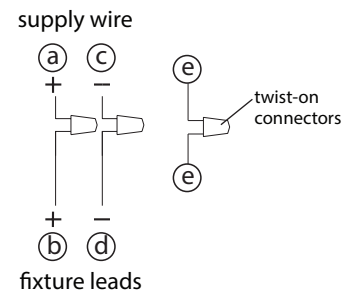
[drawing 1]



[drawing 2]



[drawing 3]



**FREDRICK RAMOND**  
ESTABLISHED 1965

A Division of Hinkley Lighting, Inc.  
33000 PIN OAK PARKWAY | AVON LAKE, OHIO 44012  
toll free 800.446.5539 | phone 440.653.5500