

# Assembly Instructions for 5357 BB

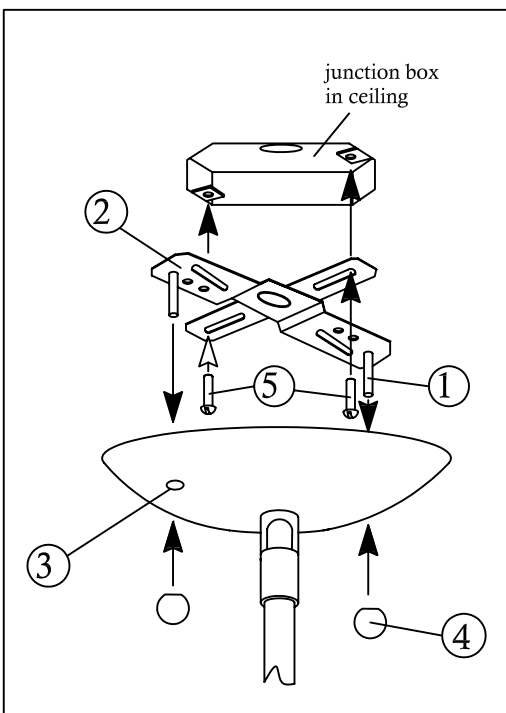
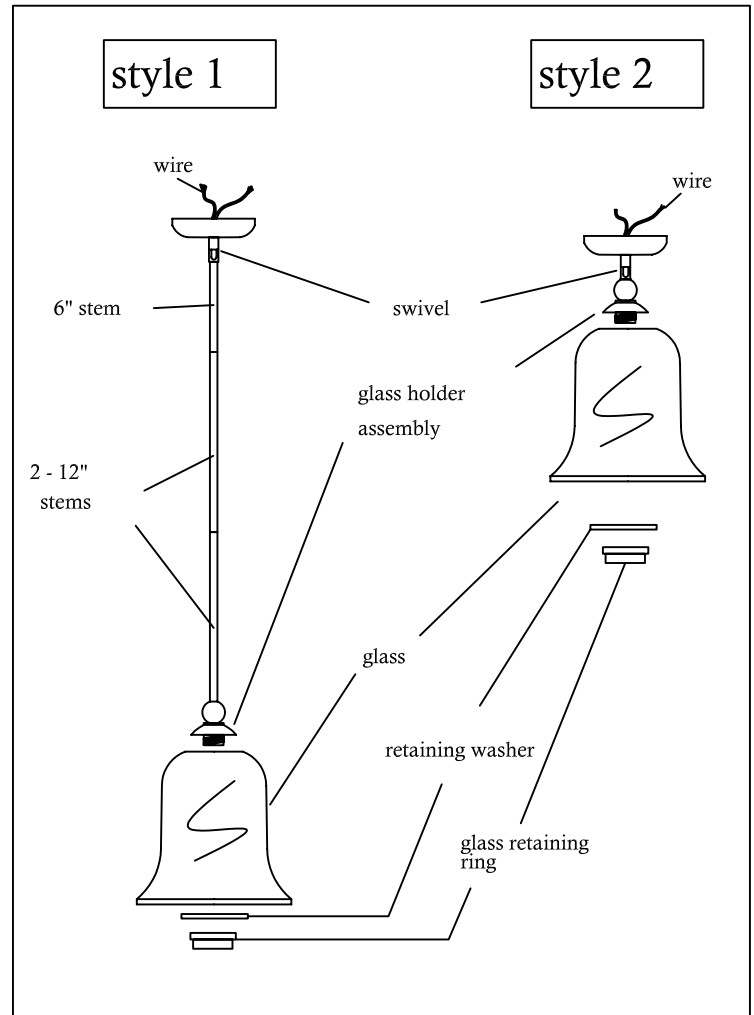
NOTE: Mini pendants can be hung in two different styles.

## Style 1 Instructions

1. First determine the desired pendant length you will require.
2. The fixture is supplied with 1-6" stem and 2- 12" stems. Determine what combination of stems would get the pendant closest to the desired length.
3. Slip stems over wire. Thread first stem onto glass holder. Then proceed to thread stems together.
4. Slip wire through center of canopy swivel and thread onto stem assembly.
5. Fixture is ready for mounting to ceiling. Follow instruction below.
6. Attach glass to fixture, by slipping glass over threaded socket. Slip retaining washer over socket and thread on glass retaining ring.

## Style 2 Instructions

1. Slip wire from glass holder assembly through center hole of canopy swivel.
2. Thread glass holder assembly to swivel.
3. Fixture is ready for mounting to ceiling. Follow instruction provided.
4. Attach glass to fixture by slipping glass over threaded socket and threading on glass retaining ring.



## Mounting Instructions

1. Shut current off before starting. If the fixture you are replacing is turned on and off by a wall switch, simply turn the switch off. If not, remove the appropriate fuse or open the circuit breaker. Do Not restore current until the new fixture is completely wired and in place.
2. Thread 2 long 8-32 (1) screws provided, into the mounting strap (2). (Note: The 2 screws should be threaded into the qull wing shaped part of the mounting strap. With the flat part of strap facing up.) Make sure screws are threaded into holes that line up with the holes in the canopy (3).
3. Attach mounting strap to junction box with 2 short 8-32 screws (5) provided.
4. Make wire connections following the instructions on the back of this sheet.
5. Slip canopy/fixture over screws (1) and secure fixture with ball knobs (4).