

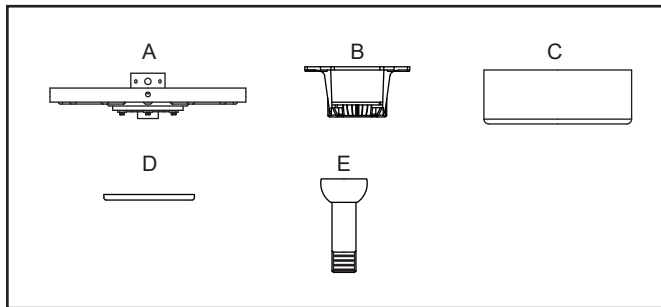
HINKLEY

DOWNROD KIT INSTALLATION FOR FACET FAN

Model: 990054Fxx

PARTS

- | | |
|------------------------------|----------------|
| A) Mounting coupler assembly | D) Trim ring |
| B) Hanger bracket | E) Downrod Asm |
| C) Canopy | |



INSTALLING THE HANGER BRACKET

REMEMBER -Turn off the power !

Attach hanging bracket to outlet box using screws provided with the outlet box. (Fig.1)

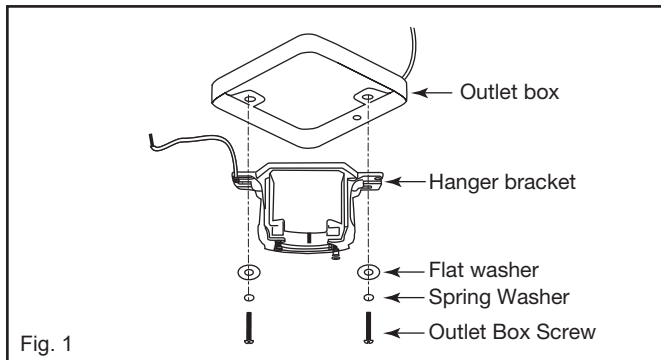


Fig. 1

HANGING THE FAN

Step 1. Remove hanger ball from downrod by loosening set screw in the side of the hanger ball. Slide hanger ball down and remove cross pin; remove hanger ball. (Fig. 2)

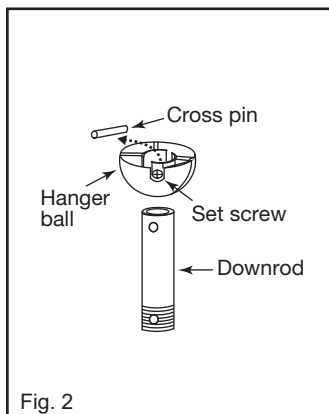


Fig. 2

Step 2. Carefully support the fan motor assembly in its styrofoam packing so the top of the motor facing upward

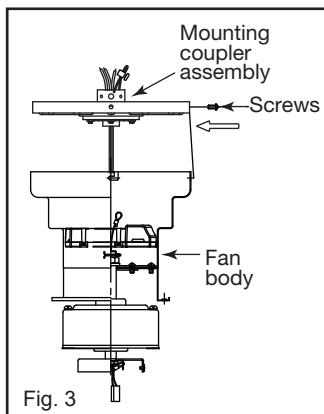


Fig. 3

Step 3. Slip the wires from the fan motor through the mounting coupler assembly, and then tighten mounting coupler assembly to the fan body with four mounting screws. (Fig. 3)

Step 4. Remove the downrod pin from the coupler assembly by removing the cotter pin from the downrod pin. Loosen the two security screws. Carefully feed the electrical lead wires and safety cable from the fan through the downrod. Thread downrod into coupler until holes align. Insert downrod pin through holes in mounting coupler and downrod; clip cotter pin through small hole in end of downrod pin to hold downrod in place. (Fig. 4)

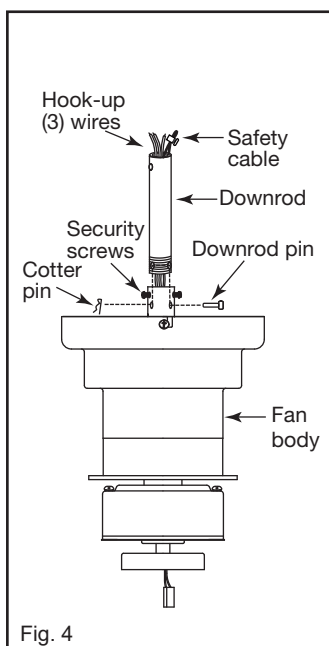


Fig. 4

Step 5. Tighten security set screws against downrod using a large flat blade screwdriver to ensure a tight fit against downrod.

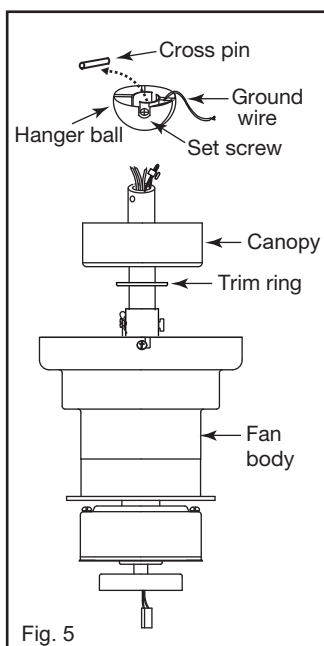
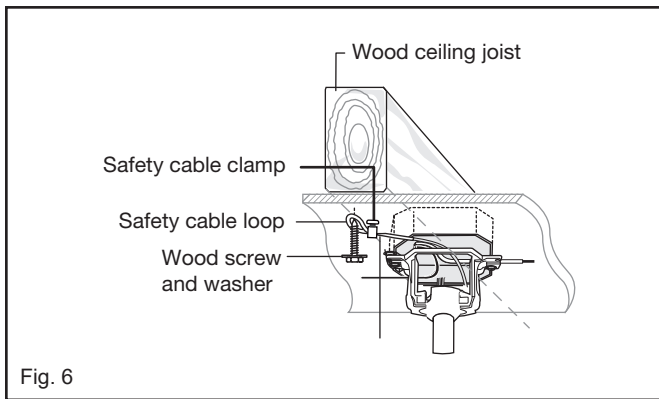


Fig. 5

Step 6. Slip the wires from the fan motor through the yoke cover, trim ring and canopy. Slide the hanger ball onto the downrod, insert the cross pin through the downrod. Pull the hanger ball up so the cross pin seats in the channel in the hanger ball. Tighten the set screw. (Fig. 5)



SAFETY CABLE INSTALLATION

Step 1. Attach the wood screw and the flat washer to the ceiling joist as shown (do not fully tighten). Slide the cable clamp onto the safety cable from the fan. Loop the safety cable around the wood screw that was just attached to ceiling joist. Feed the end of the cable into the clamp and pull as much cable through as possible. Firmly tighten screw in the clamp. Cut off excess cable and tighten the wood screw to ceiling joist. (Fig.6)

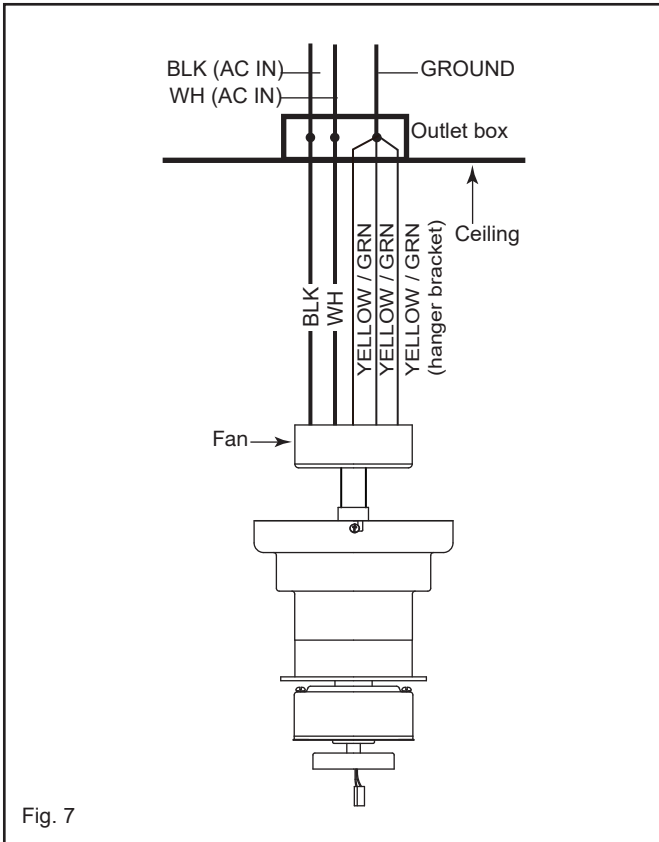
ELECTRICAL CONNECTIONS

WARNINGS: Check to see that all connections are tight, including ground, and that no bare wire is visible at the wire nuts, except for the ground wire.

Connect the supply wires from the ceiling to the receiver unit. (Use the 2 wire bundle on the receiver) Secure with supplied wire nuts.

- Connect the BLACK building supply wire to the BLACK receiver wire.
- Connect the WHITE receiver neutral wire to the WHITE building neutral wire.
- Connect the COPPER building ground wire to the 3 YELLOW/ GREEN ground wires from the fan and receiver.

Turn the wire nut connections upward, spreading them apart so the green (ground) and white wires will be on one side of the outlet box and the black wire will be on the other side. Carefully tuck wires into the outlet box space or evenly around the sides of the hanger bracket.



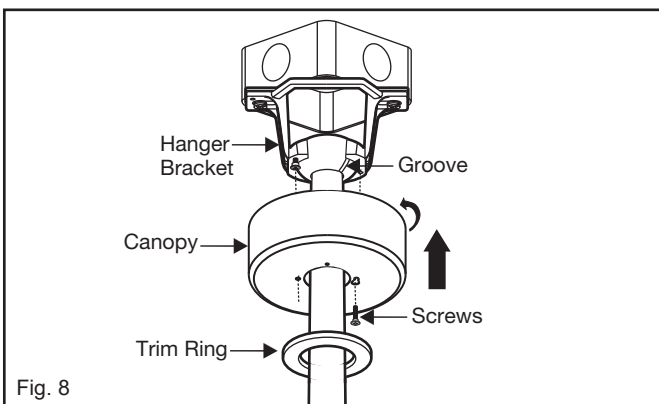
CEILING CANOPY INSTALLATION

Step 1. Tuck connections neatly into ceiling outlet box. (Fig. 8)

Step 2. Remove one canopy screw on the bracket and slide the canopy up to mounting bracket and place the key hole on screw on the mounting bracket aligning the key slot in the canopy with the canopy screw in the hanger bracket, turn canopy until it locks in place at the narrow section of the key holes.

Step 3. Align the circular hole on canopy with the remaining hole on the mounting bracket, secure by tightening the two set screws.

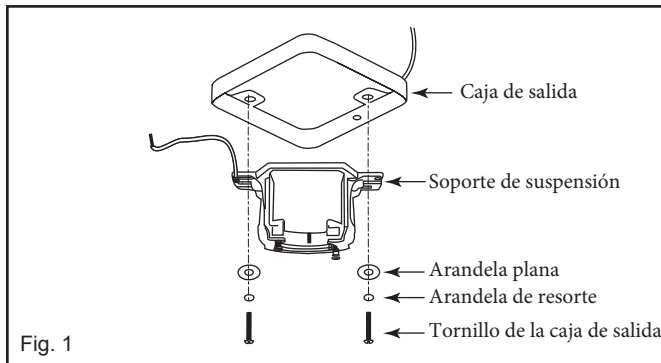
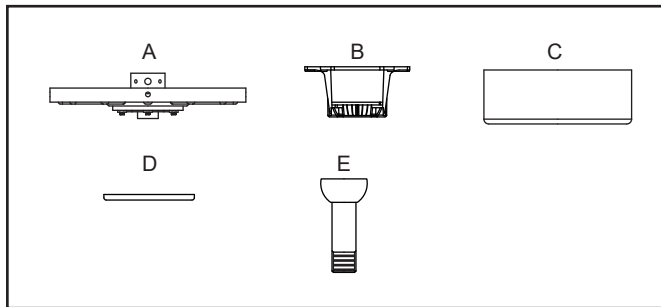
Step 4. Assemble the trim ring by aligning the two key slots on the top side of the trim ring with the two canopy screws. Twist to lock into place.



Referring to Facet fan installation instruction for other ceiling fan installing procedure.

PARTES

- | | |
|-------------------------------------|------------------------------------|
| A) Conjunto de acoplador de montaje | D) Anillo de ajuste |
| B) Soporte de suspensión | E) Conjunto de varilla descendente |
| C) Pabellón | |



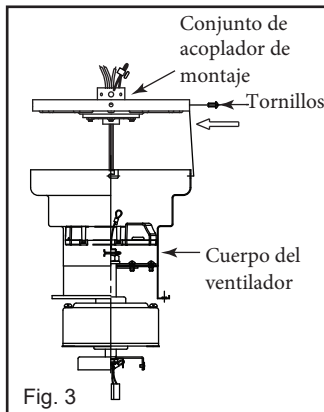
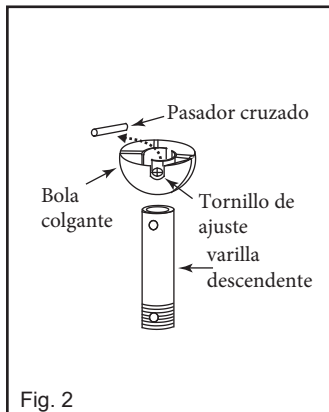
INSTALACIÓN DEL SOPORTE PARA PERCHA

RECUERDA -¡Apaga la corriente!

Fije el soporte para colgar a la caja eléctrica utilizando los tornillos proporcionados con la caja eléctrica. (Figura 1)

COLGAR EL VENTILADOR

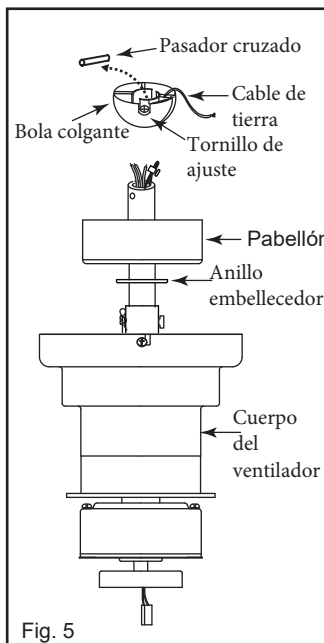
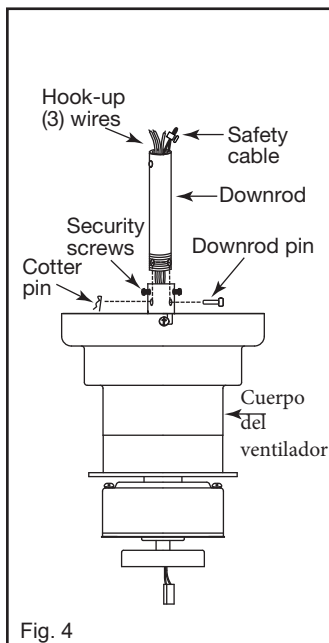
Paso 1. Retire la bola colgante de la varilla aflojando el tornillo de fijación en el costado de la bola colgante. Deslice la bola colgante hacia abajo y retire el pasador transversal; retire la bola colgante. (Figura 2)



Paso 2. Sostenga con cuidado el conjunto del motor del ventilador en su empaque de espuma de poliestireno de modo que la parte superior del motor quede hacia arriba.

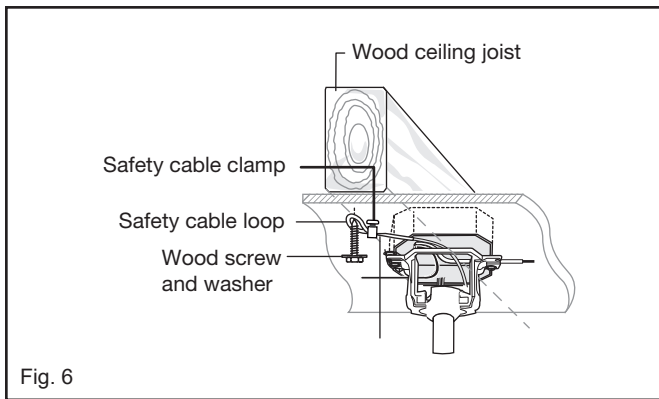
Paso 3. Deslice los cables del motor del ventilador a través del conjunto del acoplador de montaje y luego apriete el conjunto del acoplador de montaje al cuerpo del ventilador con cuatro tornillos de montaje. (Fig. 3)

Paso 4. Retire el pasador de la varilla del conjunto del acoplador quitando la chaveta del pasador de la varilla. Afloje los dos tornillos de seguridad. Pase con cuidado los cables eléctricos y el cable de seguridad del ventilador a través de la varilla. Enrosque la varilla en el acoplador hasta que los orificios se alineen. Inserte el pasador de la varilla a través de los orificios del acoplador de montaje y de la varilla; Sujete la chaveta a través del pequeño orificio en el extremo del pasador de la varilla para sujetar la varilla en su lugar. (Figura 4)



Paso 5. Apriete los tornillos de seguridad contra la varilla con un destornillador grande de punta plana para asegurar un ajuste perfecto contra la varilla.

Paso 6. Deslice los cables del motor del ventilador a través de la cubierta del yugo, el anillo embellecedor y la cubierta. Deslice la bola colgante sobre la varilla, inserte el pasador transversal a través de la varilla. Tire de la bola para colgar hacia arriba de modo que el pasador transversal se asiente en el canal de la bola para colgar. Apriete el tornillo de fijación. (Figura 5)



SAFETY CABLE INSTALLATION

Step 1. Attach the wood screw and the flat washer to the ceiling joist as shown (do not fully tighten). Slide the cable clamp onto the safety cable from the fan. Loop the safety cable around the wood screw that was just attached to ceiling joist. Feed the end of the cable into the clamp and pull as much cable through as possible. Firmly tighten screw in the clamp. Cut off excess cable and tighten the wood screw to ceiling joist. (Fig.6)

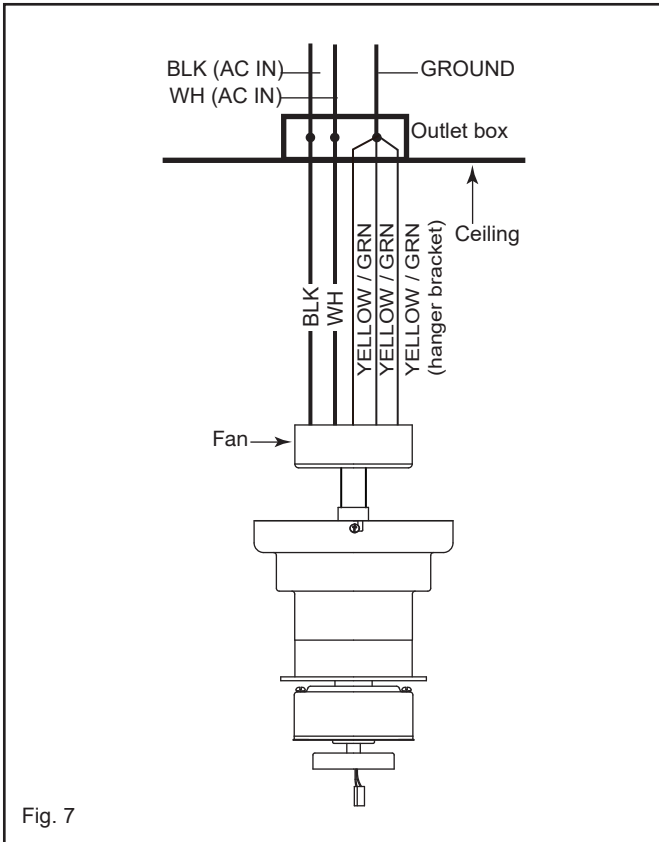
ELECTRICAL CONNECTIONS

WARNINGS: Check to see that all connections are tight, including ground, and that no bare wire is visible at the wire nuts, except for the ground wire.

Connect the supply wires from the ceiling to the receiver unit. (Use the 2 wire bundle on the receiver) Secure with supplied wire nuts.

- Connect the BLACK building supply wire to the BLACK receiver wire.
- Connect the WHITE receiver neutral wire to the WHITE building neutral wire.
- Connect the COPPER building ground wire to the 3 YELLOW/ GREEN ground wires from the fan and receiver.

Turn the wire nut connections upward, spreading them apart so the green (ground) and white wires will be on one side of the outlet box and the black wire will be on the other side. Carefully tuck wires into the outlet box space or evenly around the sides of the hanger bracket.



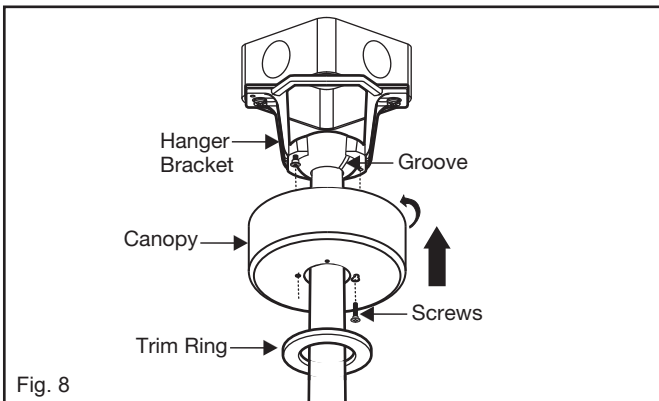
CEILING CANOPY INSTALLATION

Step 1. Tuck connections neatly into ceiling outlet box. (Fig. 8)

Step 2. Remove one canopy screw on the bracket and slide the canopy up to mounting bracket and place the key hole on screw on the mounting bracket aligning the key slot in the canopy with the canopy screw in the hanger bracket, turn canopy until it locks in place at the narrow section of the key holes.

Step 3. Align the circular hole on canopy with the remaining hole on the mounting bracket, secure by tightening the two set screws.

Step 4. Assemble the trim ring by aligning the two key slots on the top side of the trim ring with the two canopy screws. Twist to lock into place.



Referring to Facet fan installation instruction for other ceiling fan installing procedure.

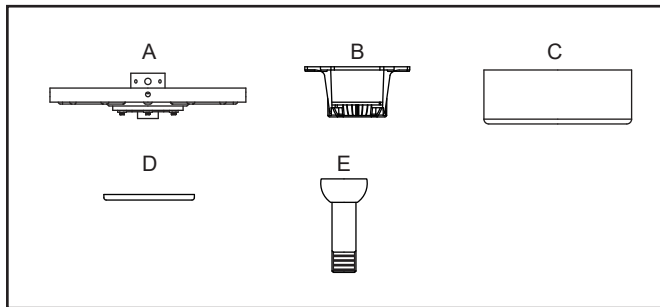
HINKLEY

DOWNROD KIT INSTALLATION FOR FACET FAN

Model: 990054Fxx

PARTS

- | | |
|------------------------------|----------------|
| A) Mounting coupler assembly | D) Trim ring |
| B) Hanger bracket | E) Downrod Asm |
| C) Canopy | |



INSTALLING THE HANGER BRACKET

REMEMBER -Turn off the power !

Attach hanging bracket to outlet box using screws provided with the outlet box. (Fig.1)

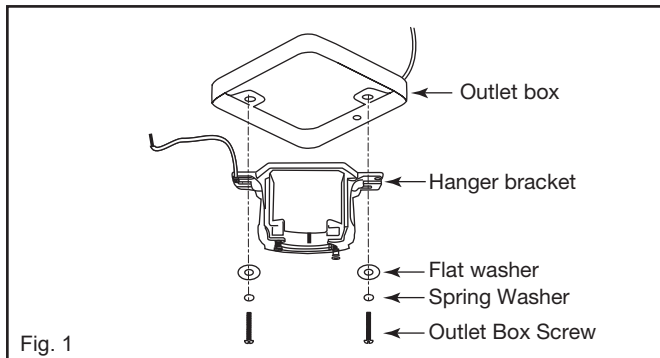


Fig. 1

HANGING THE FAN

Step 1. Remove hanger ball from downrod by loosening set screw in the side of the hanger ball. Slide hanger ball down and remove cross pin; remove hanger ball. (Fig. 2)

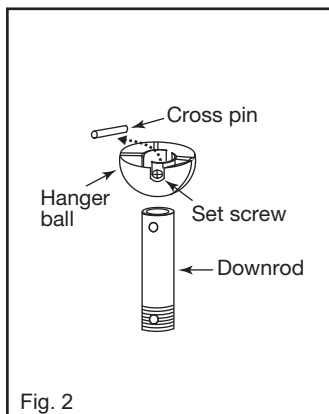


Fig. 2

Step 2. Carefully support the fan motor assembly in its styrofoam packing so the top of the motor facing upward

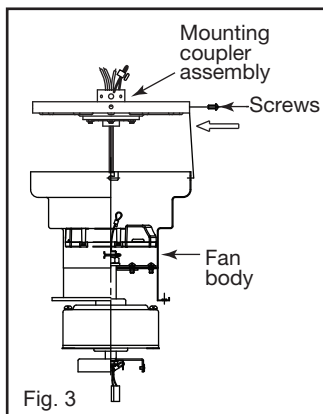


Fig. 3

Step 3. Slip the wires from the fan motor through the mounting coupler assembly, and then tighten mounting coupler assembly to the fan body with four mounting screws. (Fig. 3)

Step 4. Remove the downrod pin from the coupler assembly by removing the cotter pin from the downrod pin. Loosen the two security screws. Carefully feed the electrical lead wires and safety cable from the fan through the downrod. Thread downrod into coupler until holes align. Insert downrod pin through holes in mounting coupler and downrod; clip cotter pin through small hole in end of downrod pin to hold downrod in place. (Fig. 4)

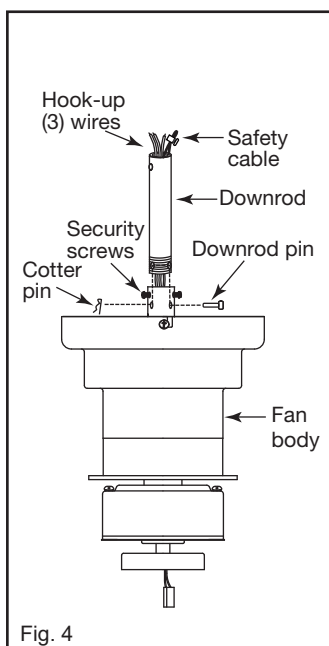


Fig. 4

Step 5. Tighten security set screws against downrod using a large flat blade screwdriver to ensure a tight fit against downrod.

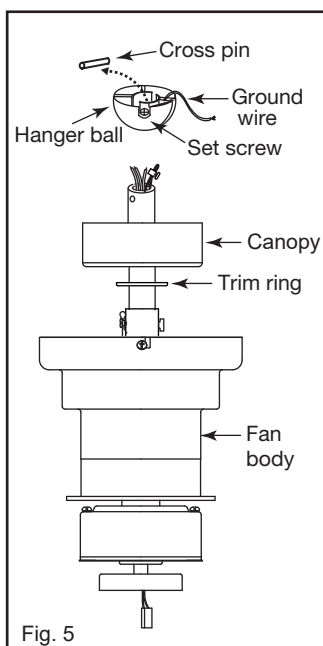
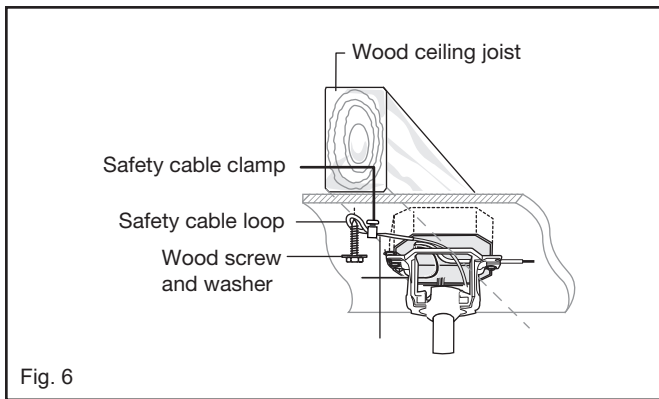


Fig. 5

Step 6. Slip the wires from the fan motor through the yoke cover, trim ring and canopy. Slide the hanger ball onto the downrod, insert the cross pin through the downrod. Pull the hanger ball up so the cross pin seats in the channel in the hanger ball. Tighten the set screw. (Fig. 5)



SAFETY CABLE INSTALLATION

Step 1. Attach the wood screw and the flat washer to the ceiling joist as shown (do not fully tighten). Slide the cable clamp onto the safety cable from the fan. Loop the safety cable around the wood screw that was just attached to ceiling joist. Feed the end of the cable into the clamp and pull as much cable through as possible. Firmly tighten screw in the clamp. Cut off excess cable and tighten the wood screw to ceiling joist. (Fig.6)

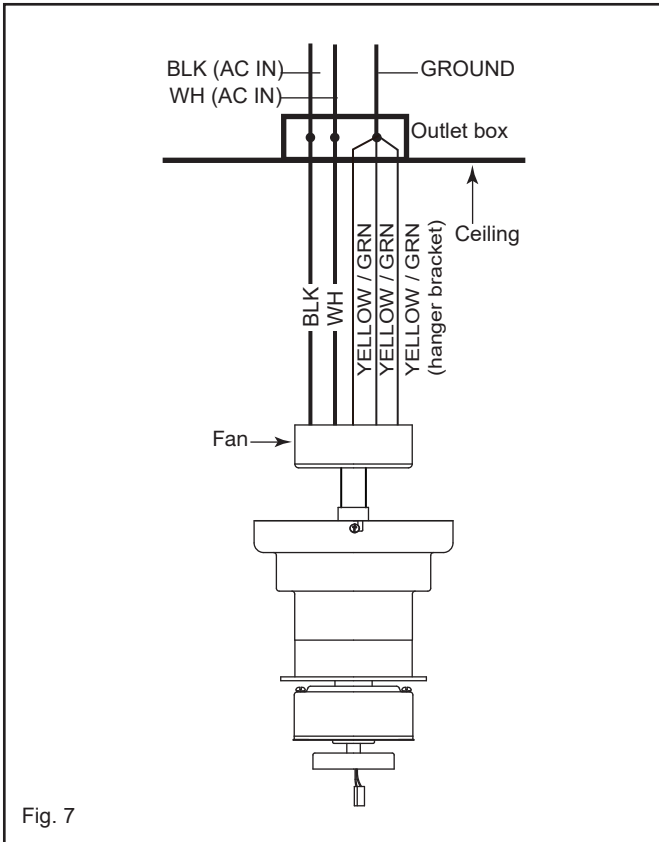
ELECTRICAL CONNECTIONS

WARNINGS: Check to see that all connections are tight, including ground, and that no bare wire is visible at the wire nuts, except for the ground wire.

Connect the supply wires from the ceiling to the receiver unit. (Use the 2 wire bundle on the receiver) Secure with supplied wire nuts.

- Connect the BLACK building supply wire to the BLACK receiver wire.
- Connect the WHITE receiver neutral wire to the WHITE building neutral wire.
- Connect the COPPER building ground wire to the 3 YELLOW/ GREEN ground wires from the fan and receiver.

Turn the wire nut connections upward, spreading them apart so the green (ground) and white wires will be on one side of the outlet box and the black wire will be on the other side. Carefully tuck wires into the outlet box space or evenly around the sides of the hanger bracket.



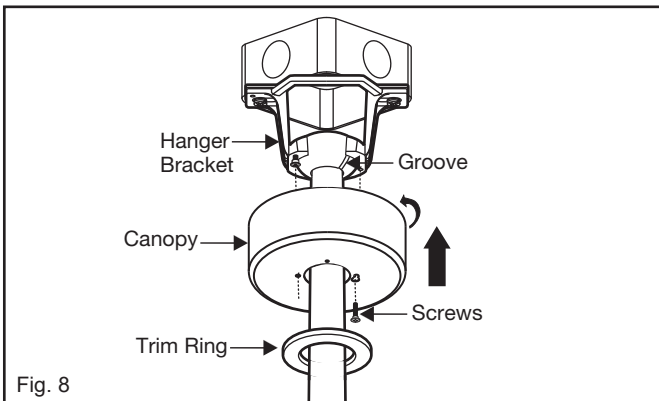
CEILING CANOPY INSTALLATION

Step 1. Tuck connections neatly into ceiling outlet box. (Fig. 8)

Step 2. Remove one canopy screw on the bracket and slide the canopy up to mounting bracket and place the key hole on screw on the mounting bracket aligning the key slot in the canopy with the canopy screw in the hanger bracket, turn canopy until it locks in place at the narrow section of the key holes.

Step 3. Align the circular hole on canopy with the remaining hole on the mounting bracket, secure by tightening the two set screws.

Step 4. Assemble the trim ring by aligning the two key slots on the top side of the trim ring with the two canopy screws. Twist to lock into place.



Referring to Facet fan installation instruction for other ceiling fan installing procedure.