

AC (3 Speed Motor Controls):

3 Speed AC fans are usually Pull Chain control or 980030FWH Controlled



980004FWH-xxx
Accessory w/WiFi

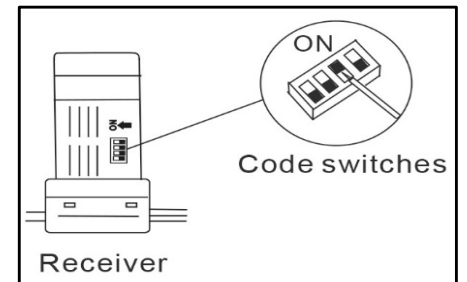
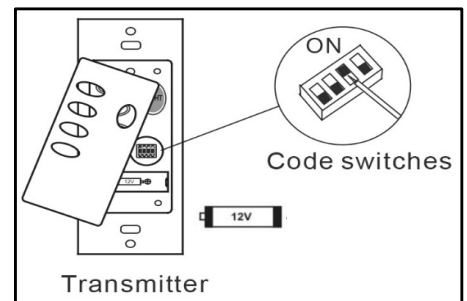
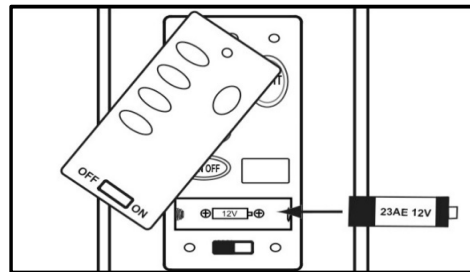
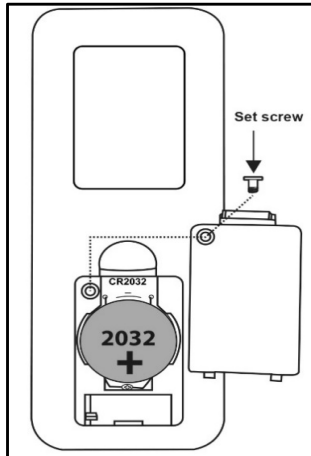


980017FWH-xxx
Accessory w/WiFi



980030FWH
Receiver Supplied With Fan

Battery: 3V (2032)



980004FWH-xxx	980017FWH	980030FWH
Auto Learn 56,000+ codes	Auto Learn 56,000+ codes	Code Switches 16 Possibilities
Battery: 3V (2032)	Battery: 12v/23A	Battery: 12v/23A
BT980003V	BT980012V	BT980012V

CAUTION: When pairing fans be sure ONLY the fan being paired is powered up.

- A- **To Pair** (980004) Remote: Press and hold Fan on/off button for 5 seconds within 60 seconds of power being turned on.
- B- **To Pair** (980017) Wall Control: Press and hold Fan on/off button for 5 seconds within 60 seconds of power being turned on.
- C- **To Pair** (980030) Wall Control: Set the code switches on BOTH the wall control and Receiver to the same code setting.

CAUTION: Pull Chain Fans: MAKE SURE CHAIN IS IN HIGH SPEED POSITION

AC (3 Speed Motor Controls):

3 Speed AC fans are usually Pull Chain control or 980030FWH Controlled

D- **Multiple Fans on one controller: **Not Recommended**** IF the fan has a light kit. Light Kits will not stay in sync.

- aa- Fan Only Multiples: Follow pairing procedure in A, B or C for both transmitters.
Within 60 seconds of power being turned on.

E- Factory Reset 980004/980017 (**Fan paired to wrong transmitter**):

- aa- Turn main power OFF to all Fans.
- bb- Turn main power ON ONLY for THE FAN NEEDING CODE CORRECTION.
- cc- Press and hold Fan on/off button for 20 seconds (within 60 seconds of power being turned on). Fan should begin moving.
- dd- Turn the main power off again for 60 seconds.
- ee- Turn main power BACK ON ONLY for THE FAN BEING CODE CORRECTED.
- ff- Press and hold Fan on/off button for 5 seconds (within 60 seconds of power being turned on).

Now the fan should be coded to the correct transmitter only.

E- 980030 Wall Control (**Fan paired to wrong transmitter**):

- aa- Turn main power OFF to all Fans.
- bb- Change the code switches on BOTH the receiver at the fan and the transmitter.
- cc- Turn main power BACK ON